



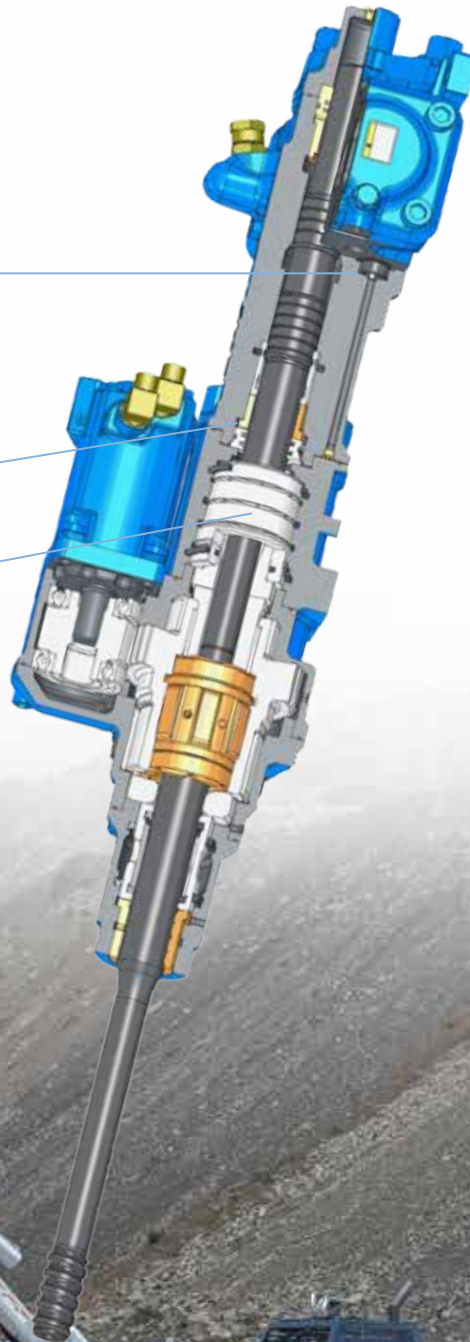
## HD822 Drifter

FOR THE HCR1100 DRILL

**New piston actuating mechanism** performs with 26% more percussion and generates 20% more power at the same time, outperforming the FRD's HD712 drifter.

**Wedge type piston** allows for greater impact efficiency.

**Dual-damper** piston stabilizes the behavior of the drifter by absorbing repulsion from the rock face during impact.



### Features and Benefits:

#### Better Penetration with Increased Impact

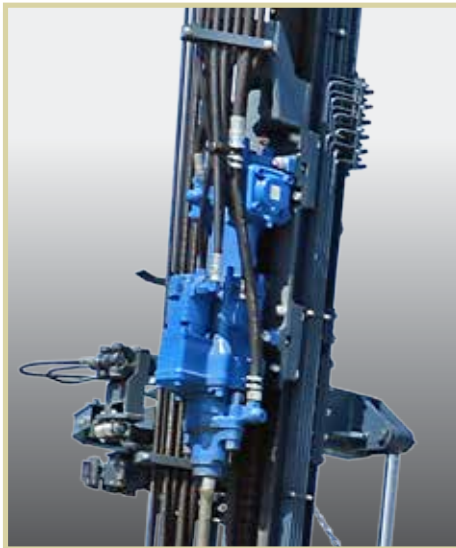
- › The Furukawa HD822 drifter (patent applied for) is designed to minimize drill noise and vibration, while increasing performance.
- › With 20% more impact, this drill has the ability to perform in harder rock at a larger diameter.
- › New design increases percussion frequency by 26% versus the HD712 drifter.

#### Dual Damper System DDS

- › Stabilizes the bit against the rock, ensuring efficient energy transfer and straighter holes.
- › Automatically adjusts the drifter for maximum performance regardless of the rock condition.

**HD822 Model**

<b>SPECIFICATION</b>	<b>US Standard</b>	<b>Metric</b>
Max. Impact Pressure	2,900 psi	20Mpa
Blow - Long Stroke, BPM		2,700
Blow - Short Stroke, BPM		3,300
Max. Impact Output - Long Stroke	29.5 hp	22.0 kW
Stroke Adjustment		variable type
Max. Rotation Torque	1,045.1 ft-lbs	1,417 Nm
Max. No. of Rotation Per Minute		190
Flushing System		Swivel Type



[www.frdusa.com](http://www.frdusa.com)

**CORPORATE HEADQUARTERS**  
 711 Lake Street Kent, OH 44240  
**Ph:** 330-673-5826  
**Fax:** 330-677-1616  
**Toll Free:** 1-800-527-2282

**SOUTHEAST SALES AND SERVICE FACILITY**  
 155 Dexter Road  
 Spartanburg, SC 29303  
**Ph:** 864-541-0125