






FRD

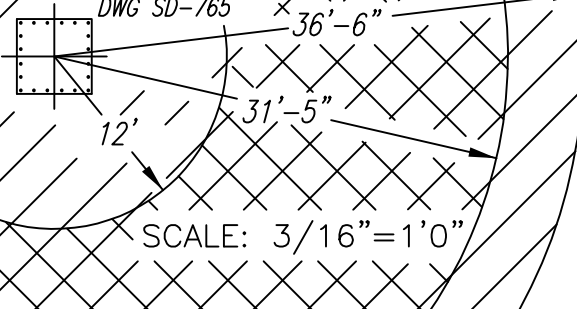
FRD.USA

Pedestal Model: PM-32EHD

Breaker Model: F9Qt

	SOLID OUTLINE DEPICTS PRIMARY WORKING LIMIT WITH PM UNIT IN TYP. PERPENDICULAR BREAKING POSITION.
	DASHED OUTLINE DEPICTS MAXIMUM POSSIBLE REACH OF KENT'S PM UNIT
	SECTIONED AREA DENOTES SECONDARY WORKING ZONES OF TOOL.
	SHADED AREA DENOTES PRIMARY WORKING ZONE WITH TOOL REMAINING PERPENDICULAR.
	PHANTOM OUTLINED UNIT AND ATTACHMENT SHOWS ALTERNATE POSITIONS OF BOOM AND ATTACHMENT.

360° ROTATING BASE
FOR DETAILS SEE
DWG SD-765



SCALE: 3/16"=1'0"

SECTION A-A

